



UNIVERSITY OF CAMBRIDGE INTERNATIONAL EXAMINATIONS
General Certificate of Education Ordinary Level

CANDIDATE
NAME

CENTRE
NUMBER

--	--	--	--	--

CANDIDATE
NUMBER

--	--	--	--



PHYSICS

5054/02

Paper 2 Theory

October/November 2007

1 hour 45 minutes

Candidates answer on the Question Paper.

Additional Materials: Answer Booklet/Paper.

READ THESE INSTRUCTIONS FIRST

Write your Centre number, candidate number and name on all the work you hand in.

Write in dark blue or black pen.

You may use a soft pencil for any diagrams, graphs or rough working.

Do not use staples, paper clips, highlighters, glue or correction fluid.

DO **NOT** WRITE IN ANY BARCODES.

Section A

Answer **all** questions.

Write your answers in the spaces provided on the Question Paper.

Section B

Answer any **two** questions.

Write your answers on the separate answer paper provided.

At the end of the examination, fasten all your work securely together.

The number of marks is given in brackets [] at the end of each question or part question.

For Examiner's Use	
Section A	
Q9	
Q10	
Q11	
Total	

This document consists of **12** printed pages.



Section A

Answer **all** the questions in this section.

- 1 A parachutist jumps from an aircraft. Some time later, the parachute opens.

Fig. 1.1 is a graph of the vertical speed of the parachutist plotted against time t .

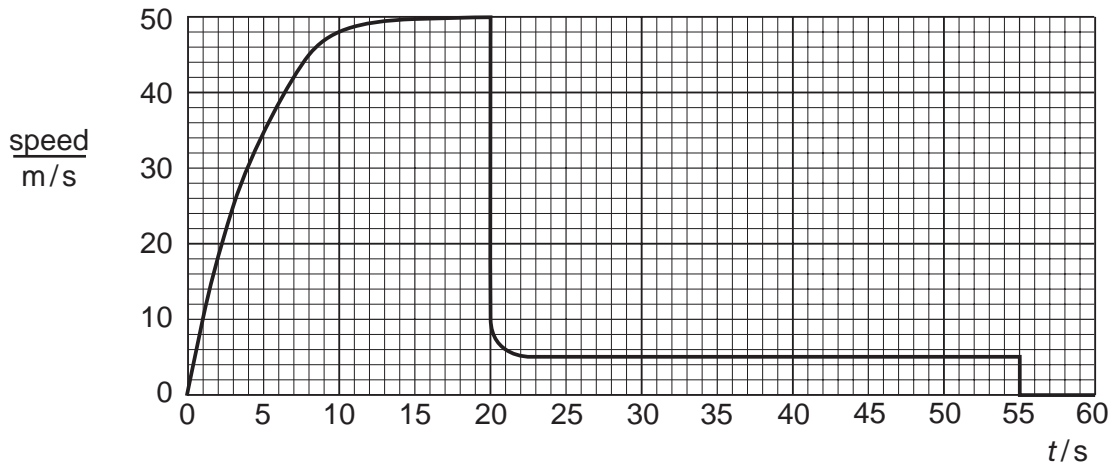


Fig. 1.1

- (a) State what happens at $t = 20$ s and $t = 55$ s.

at 20 s

at 55 s [1]

- (b) Describe the motion of the parachutist between $t = 0$ and $t = 20$ s.

.....

 [2]

- (c) Explain, in terms of the forces acting, why the speed of the parachutist is constant between $t = 25$ s and $t = 55$ s.

.....

 [2]

- (d) Calculate the distance travelled by the parachutist between $t = 25$ s and $t = 55$ s.

distance = [2]

- 2 A student measures the mass and the volume of four samples of rock A, B, C and D. The results are shown in Fig. 2.1.

	A	B	C	D
mass/g	101	202	448	4508
volume/cm ³	22	44	80	978

Fig. 2.1

- (a) (i) Describe in detail how a measuring cylinder is used to find the volume of rock A.

.....

 [2]

- (ii) Explain why the volume of rock D cannot be found with an ordinary laboratory measuring cylinder.

.....
 [1]

- (b) Calculate the density of rock A.

density = [2]

- (c) Three of the rocks are made from the same material.

State and explain which of the rocks is made from a different material.

.....

 [2]

- 3 One type of renewable energy source is shown in Fig. 3.1.

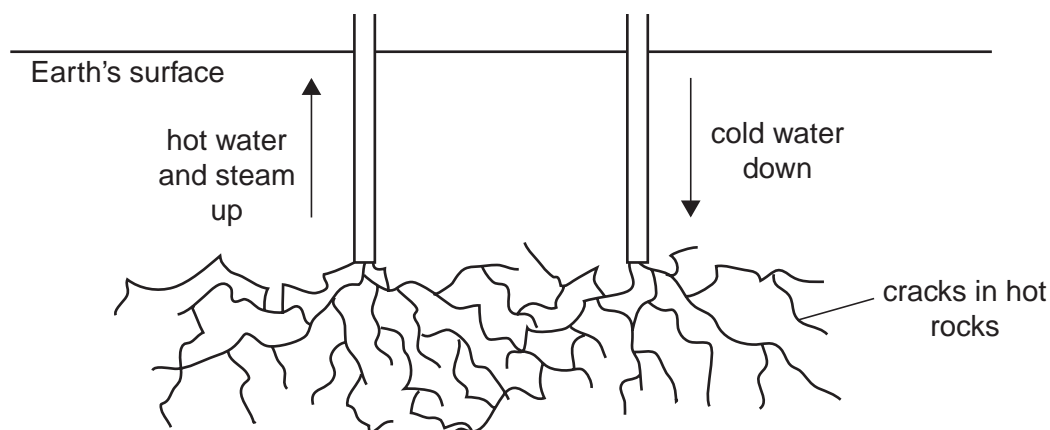


Fig. 3.1

- (a) (i) State the name of the renewable energy source shown in Fig. 3.1.

..... [1]

- (ii) State what is meant by a *renewable* energy source.

.....

 [1]

- (b) 1000 kg of cold water at a temperature of 20 °C is pumped down to the hot rocks. 100 kg of water returns as steam and 900 kg as hot water, both at a temperature of 100 °C.

The specific heat capacity of water is 4200 J/(kg °C) and the specific latent heat of vaporisation of water is 2.3×10^6 J/kg.

Calculate

- (i) the energy needed to heat 1000 kg of water from 20 °C to 100 °C,

energy = [2]

- (ii) the energy needed to produce 100 kg of steam from water that is already at 100 °C.

energy = [2]

- 4 Fig. 4.1 shows equipment placed on top of a house that uses solar energy to produce hot water.

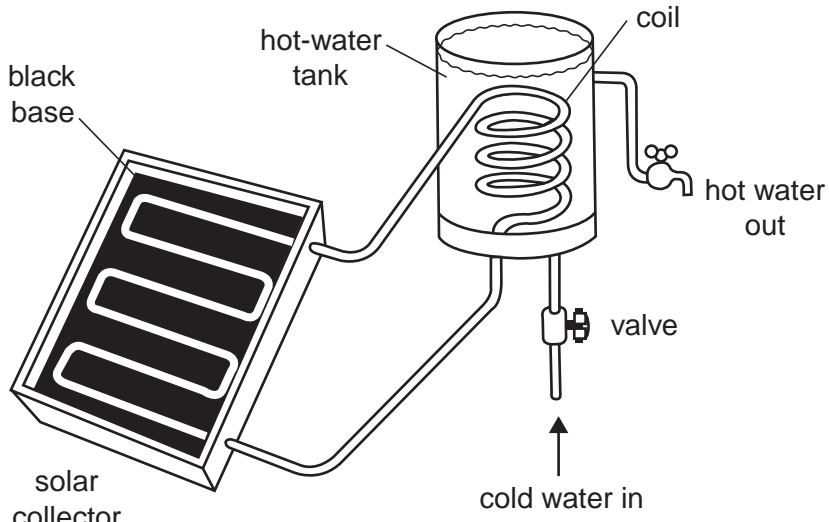


Fig. 4.1

- (a) Explain why the solar collector has a black base.

.....

 [2]

- (b) State and explain why the hot water in the solar collector travels to the hot-water tank.

.....

 [2]

- (c) Fig. 4.1 does not show any insulation.

- (i) Explain why it is important to insulate the hot-water tank.

.....
 [1]

- (ii) Explain how the hot-water tank is insulated.

.....
 [1]

- 5 Fig. 5.1 shows the arrangement of atoms in a solid block.

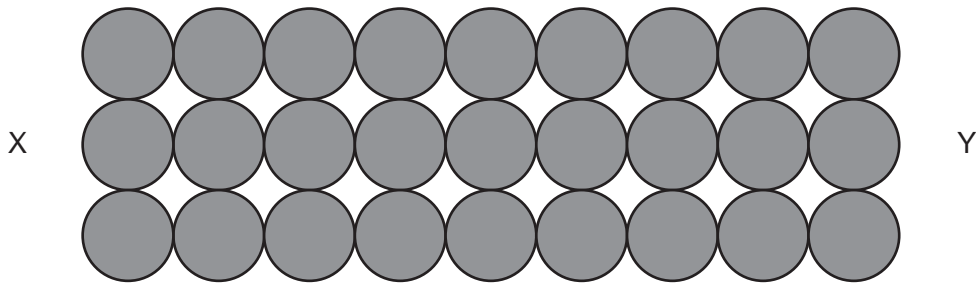


Fig. 5.1

- (a) End X of the block is heated. Energy is conducted to end Y, which becomes warm.

- (i) Explain how heat is conducted from X to Y by the atoms.

.....

 [2]

- (ii) Explain why the solid block expands when it is heated.

.....

 [1]

- (b) The block is heated and becomes a liquid.

Describe the changes that occur to the arrangement and the motion of the atoms.

.....

 [2]

- 6 Fig. 6.1 shows the cone of a loudspeaker.

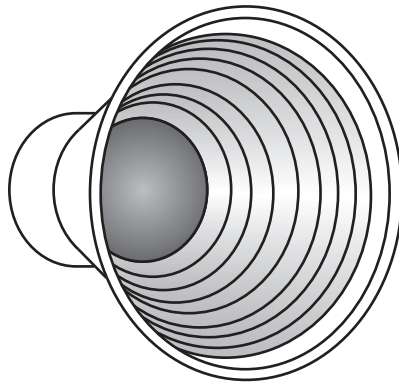


Fig. 6.1

- (a) Sound is being produced. Describe in detail the behaviour of the cone and the air near to it.

.....

.....

.....

.....

..... [2]

- (b) The lowest frequency that a human can hear is 20 Hz.

- (i) State the highest frequency that a human with normal hearing can hear.

..... [1]

- (ii) Calculate the longest wavelength of sound that a human can hear. The speed of sound in air is 340 m/s.

wavelength = [2]

7 Fig. 7.1 shows apparatus that can be used to make an electromagnet or a permanent magnet.

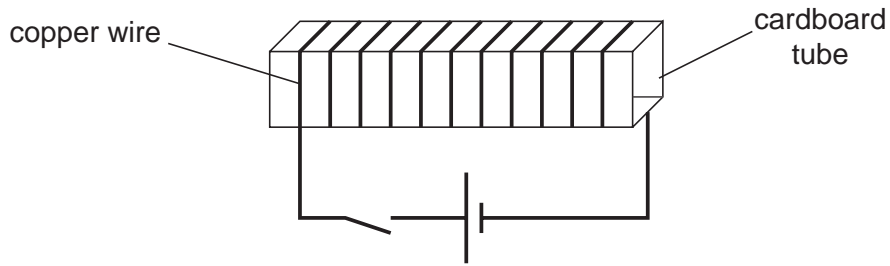


Fig. 7.1

Four rods are available. They are made of aluminium, soft iron, steel and wood.

(a) (i) State which rod is used to make a permanent magnet.

..... [1]

(ii) Describe how the apparatus is used to make a permanent magnet.

.....
..... [1]

(b) A computer component is screened from external magnetic fields by placing it in a box, as shown in Fig. 7.2.

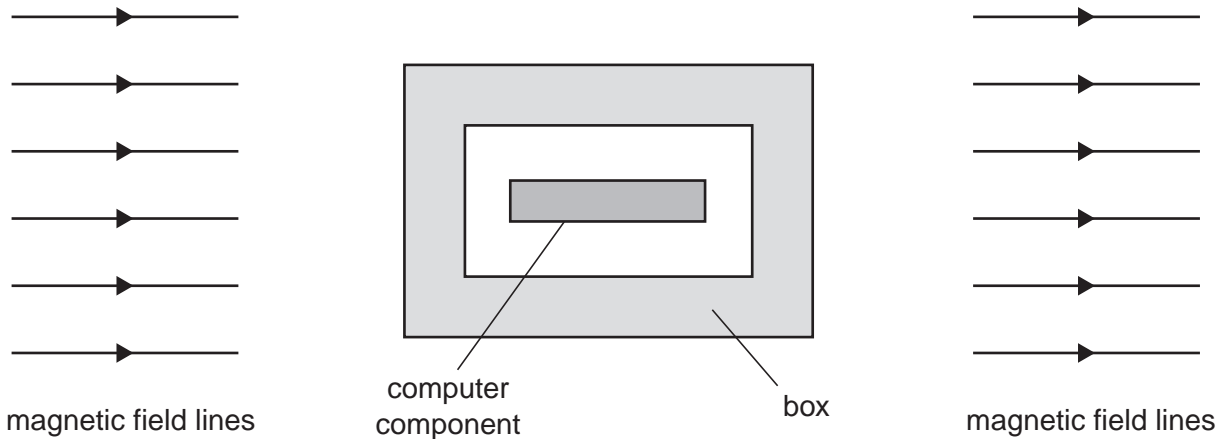


Fig. 7.2

There is a strong magnetic field outside the box. The magnetic field lines have not been drawn near the box.

(i) State the best choice for the material of the box.

..... [1]

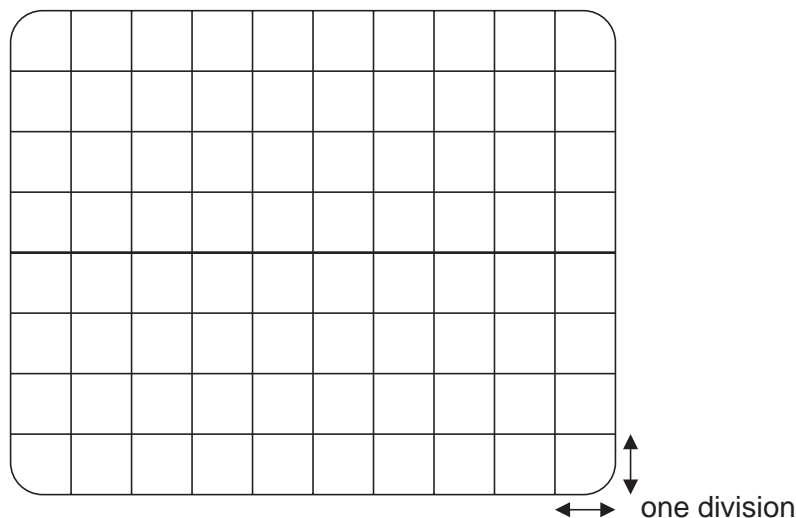
(ii) On Fig. 7.2, join the magnetic field lines on the left of the box to those on the right, showing the pattern of the magnetic field. [2]

8 EITHER

The Y-plates of a cathode-ray oscilloscope (CRO) are connected to an alternating voltage of amplitude 4.0V and frequency 25Hz.

The Y-gain of the CRO is set at 2.0V/division and the time-base is set at 0.01 s/division.

On the grid below, draw the trace on the screen of the CRO. Show your calculations beside the grid. [4]



OR

Fig. 8.1 shows a transistor used in the circuit of a simple moisture detector.

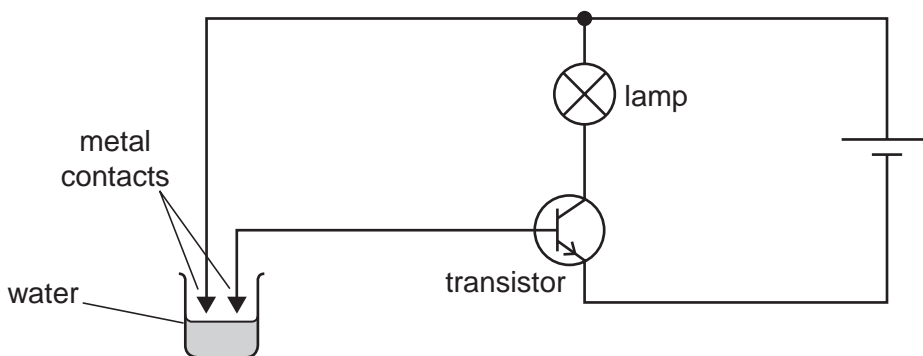


Fig. 8.1

(a) Describe what happens when the water level in the beaker reaches the metal contacts.

.....

.....

.....

..... [3]

(b) State one use for this simple moisture detector.

..... [1]

Section B

Answer **two** questions from this section.

Use the separate sheets available from the Supervisor.

- 9 Many cars are fitted with an air-bag, as shown in Fig. 9.1. In a collision, the air-bag inflates and reduces the effect of the impact between the passenger and the dashboard.

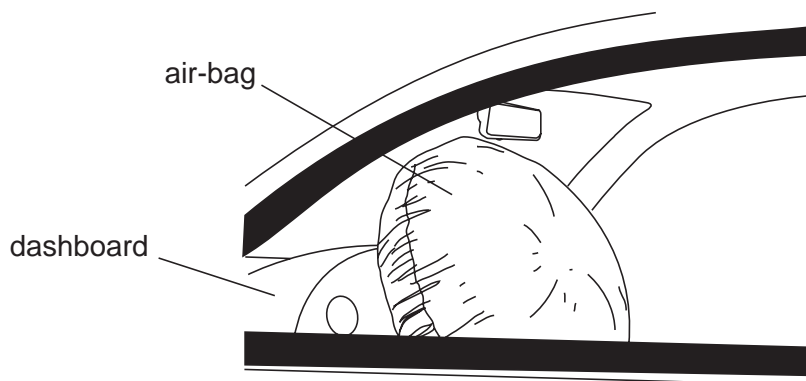


Fig. 9.1

- (a) In a test of the air-bag, a heavy ball is used instead of the passenger.
- The car is travelling at 14 m/s when it hits a wall. The air-bag inflates and the ball takes 3.0 s to come to rest. The ball has mass 5.0 kg.
- (i) Calculate the average deceleration of the ball. [3]
- (ii) Calculate the average force exerted on the ball. [2]
- (iii) Using ideas about acceleration, explain how the air-bag reduces the force on the ball during the test. [2]
- (b) If there was no air-bag, a large pressure would be exerted on the ball at the point where it hits the dashboard.
- (i) Define *pressure*. [1]
- (ii) The inflated air-bag reduces the pressure exerted on the ball. State **two** reasons why the pressure is reduced. [2]
- (c) Compressed gas from a small cylinder inflates the air-bag. The cylinder contains a volume of 600 cm³ of gas at a pressure of 1.4×10^7 Pa. The cylinder and the inflated air-bag have a volume of 30 000 cm³.
- (i) Calculate the pressure of the gas in the inflated air-bag, assuming that the temperature is constant. [3]
- (ii) The pressure inside the cylinder decreases as the air-bag is inflated. Explain, using ideas about molecules, why the pressure decreases. [2]

- 10 (a) Describe an experiment to show the difference between an electrical insulator and an electrical conductor. Name one example of each. [4]

- (b) Fig. 10.1 is a sketch graph of the current in a component P against the potential difference (p.d.) across it.

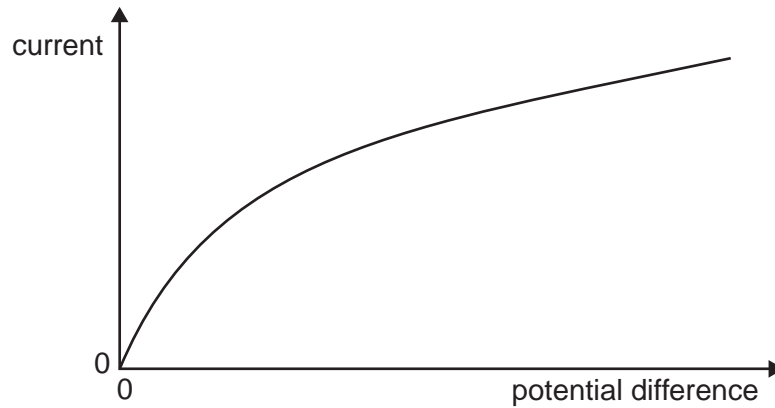


Fig. 10.1

- (i) Define *resistance*. [1]
- (ii) State how the resistance of P varies with the p.d. across it. [1]
- (iii) Suggest what component P is. [1]
- (iv) Explain why the resistance of P varies with the p.d. across it. [2]
- (c) Component P is used in the electrical circuit shown in Fig. 10.2.

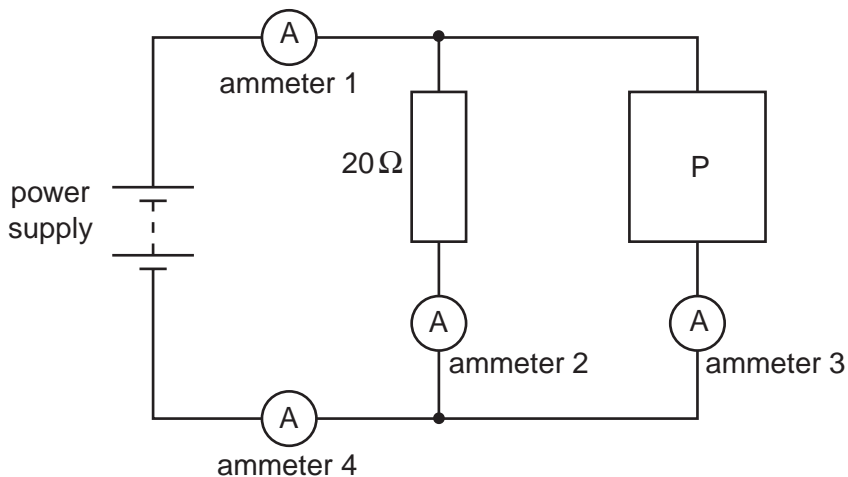


Fig. 10.2

The current in ammeter 2 is 0.40 A and the current in ammeter 3 is 0.60 A.

- (i) Determine the readings of ammeters 1 and 4. [1]
- (ii) Calculate the p.d. across the $20\ \Omega$ resistor. [2]
- (iii) State the p.d. across the power supply. [1]
- (iv) Calculate the resistance of P in this circuit. [2]

11 (a) Fig. 11.1 shows a ray of light passing through the edge of a converging lens.

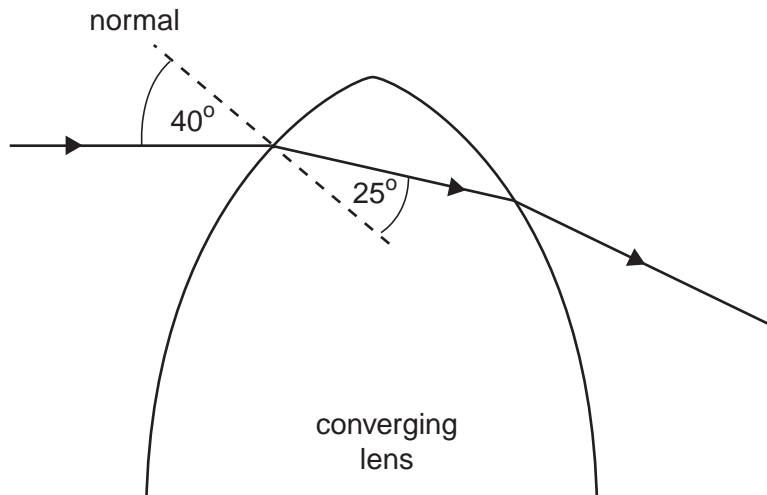


Fig. 11.1

- (i) Describe what happens to the direction of the ray of light as it enters and leaves the lens. [2]
- (ii) State what happens to the speed, frequency and wavelength of the light as it enters the lens. [3]
- (iii) Calculate the refractive index of the glass used in the lens. [3]
- (b) The focal length of the lens is 20 cm. An object is placed 50 cm from the lens and an image is formed on a screen.
- (i) Explain what is meant by the *focal length* of a lens. You may draw a diagram if you wish. [2]
- (ii) Draw a ray diagram to scale to show the formation of the image. [3]
- (iii) The image is real. State **two** other properties of the image. [2]

Permission to reproduce items where third-party owned material protected by copyright is included has been sought and cleared where possible. Every reasonable effort has been made by the publisher (UCLES) to trace copyright holders, but if any items requiring clearance have unwittingly been included, the publisher will be pleased to make amends at the earliest possible opportunity.

University of Cambridge International Examinations is part of the Cambridge Assessment Group. Cambridge Assessment is the brand name of University of Cambridge Local Examinations Syndicate (UCLES), which is itself a department of the University of Cambridge.