



**Cambridge International Examinations**  
Cambridge International General Certificate of Secondary Education

CANDIDATE  
NAME

--

CENTRE  
NUMBER

--	--	--	--	--

CANDIDATE  
NUMBER

--	--	--	--



**PHYSICAL SCIENCE**

**0652/32**

Paper 3 (Extended)

**October/November 2015**

**1 hour 15 minutes**

Candidates answer on the Question Paper.

No Additional Materials are required.

**READ THESE INSTRUCTIONS FIRST**

Write your Centre number, candidate number and name on all the work you hand in.

Write in dark blue or black pen.

You may use an HB pencil for any diagrams, graphs, tables or rough working.

Do not use staples, paper clips, glue or correction fluid.

**DO NOT WRITE IN ANY BARCODES.**

Answer **all** questions.

A copy of the Periodic Table is printed on page 24.

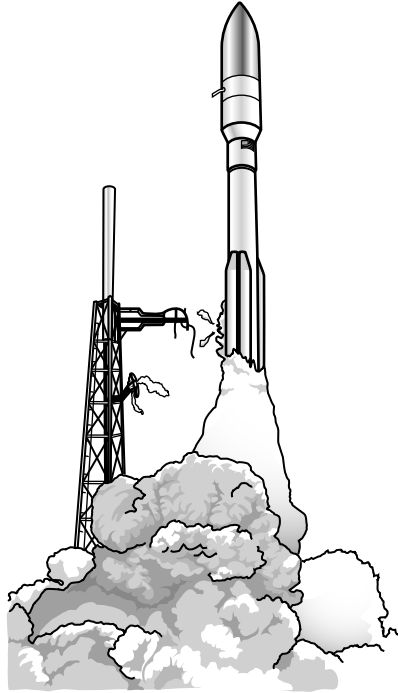
Electronic calculators may be used.

At the end of the examination, fasten all your work securely together.

The number of marks is given in brackets [ ] at the end of each question or part question.

This document consists of **20** printed pages and **4** blank pages.

- 1 Fig. 1.1 shows an Atlas space rocket as it takes off from its launch pad.



**Fig. 1.1**

- (a) The initial mass of the rocket and fuel is 160000kg.

Calculate the weight of the rocket and fuel. Use  $g = 10\text{ m/s}^2$ .

weight = ..... N [1]

- (b) The initial thrust from the rocket motors is 2000000N.

- (i) Calculate the resultant upward force on the rocket.

force = ..... N [1]

- (ii) Calculate the initial acceleration of the rocket and state the unit.

acceleration = ..... unit ..... [3]

- (c) The thrust from the motors is constant. However, the acceleration of the rocket increases. Suggest a reason for this increase.

.....

.....

..... [1]



## 2 Acids react with bases to form salts.

Table 2.1 shows some reactions of acids and bases and the salts formed.

**Table 2.1**

acid	base	salt formed
sulfuric acid	sodium hydroxide	sodium sulfate
hydrochloric acid	sodium carbonate	
	zinc oxide	zinc nitrate
sulfuric acid		magnesium sulfate

(a) Complete Table 2.1 by filling in the empty boxes. [3]

(b) Write a balanced equation for the reaction between hydrochloric acid and sodium carbonate.

..... [2]

(c) Zinc oxide will react with alkalis as well as acids.

State the name given to this sort of oxide.

..... [1]

(d) (i) When an acid is added to an alkali, a salt and water only are formed.

This is a neutralisation reaction.

Write an equation, using ions, to represent the neutralisation in such a reaction.

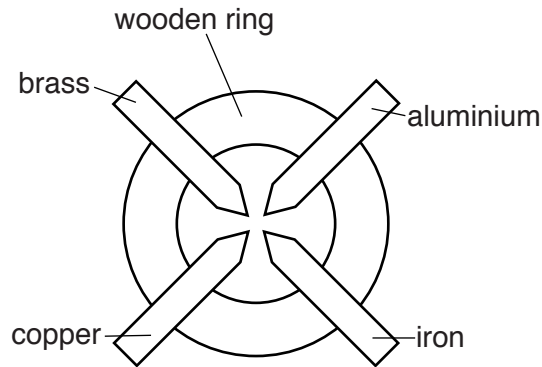
..... [1]

(ii) Dilute sulfuric acid is added to an aqueous solution of sodium hydroxide.

Use ideas of proton transfer to explain why sodium hydroxide is the base in this reaction.

.....  
 ..... [1]

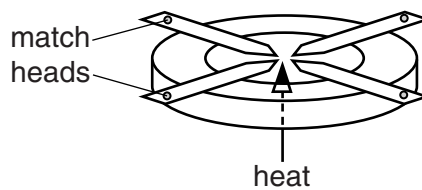
- 3 (a) Fig. 3.1 shows a piece of apparatus, viewed from above. Four different metal strips are fixed to a wooden ring.



**Fig. 3.1**

Fig. 3.2 shows an experiment using the apparatus.

A match head is placed on the end of each metal strip. The strips are then heated at the centre.



**Fig. 3.2**

Each of the match heads ignites after a different length of time. This is shown in Table 3.1.

**Table 3.1**

metal strip	time for match head to ignite/minutes
aluminium	4
brass	3
copper	1
iron	8

List the metals in order of their thermal conductivity.

most conductive .....

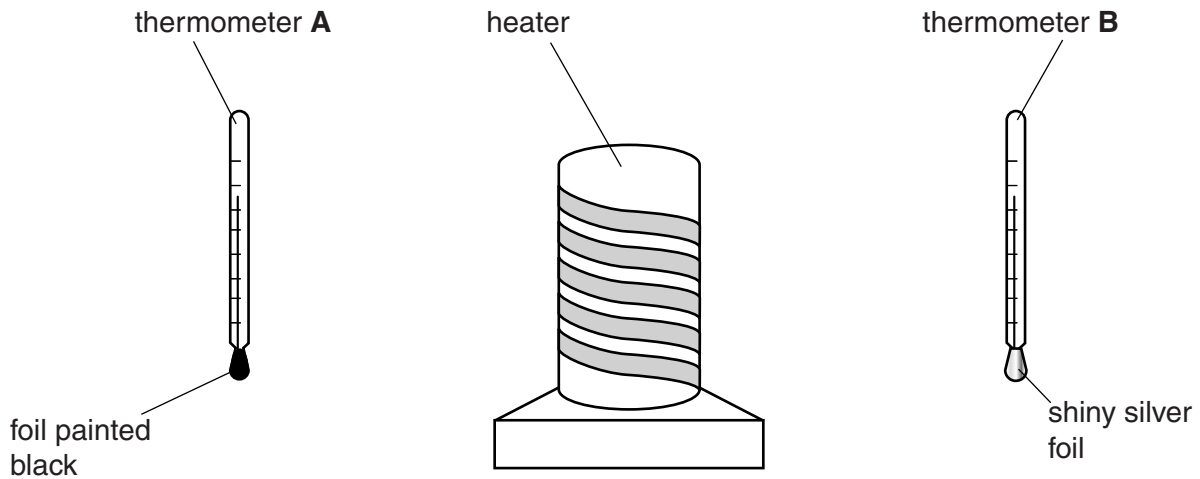
.....

.....

least conductive .....

[2]

(b) Fig. 3.3 shows an experiment to investigate the energy absorbed by different surfaces.



**Fig. 3.3**

The two thermometers are equal distances from the heater. Both of their bulbs are wrapped in aluminium foil. The foil on thermometer **A** is painted black and the foil on thermometer **B** is left shiny silver.

At the beginning of the experiment the two thermometers both show a temperature of  $18^{\circ}\text{C}$ .

The heater is switched on.

- (i) State the main method of thermal energy transfer that takes energy from the heater to the thermometers.

..... [1]

The heater is left on for ten minutes. Thermometer **A** now shows a reading of  $32^{\circ}\text{C}$ .

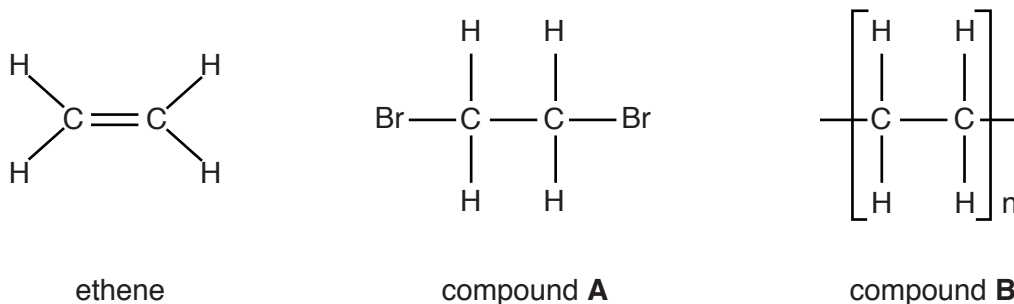
- (ii) Predict the temperature reading shown by thermometer **B**.

temperature = .....  $^{\circ}\text{C}$  [1]

- (iii) Explain why there is a difference in the two thermometer readings.

.....  
 ..... [1]

- 4 Fig. 4.1 shows the structural formulae of ethene and two compounds, **A** and **B**, that can be made from ethene.



**Fig. 4.1**

- (a) Ethene can be made from the large chain alkanes found in crude oil.

Name this process and state the conditions necessary for it to occur.

.....  
 ..... [2]

- (b) Compound **A** is formed in a test to distinguish between ethane and ethene.

Describe this test and the results you would expect for each.

test .....

.....

.....

result with ethane .....

.....

result with ethene .....

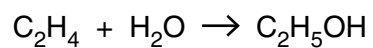
..... [2]

- (c) State the type of reaction used to make compound **B** from ethene.

..... [2]



(d) Ethanol can be made by the reaction of ethene with steam.



Calculate the mass of ethanol that can be made from 1.0 kg of ethene.

[Relative atomic masses:  $A_r$ : C, 12; H, 1; O, 16.]

Show your working in the box.

mass of ethanol = ..... kg [3]

5 Fig. 5.1 shows a ray of light entering a lens. The insert shows an enlarged view.

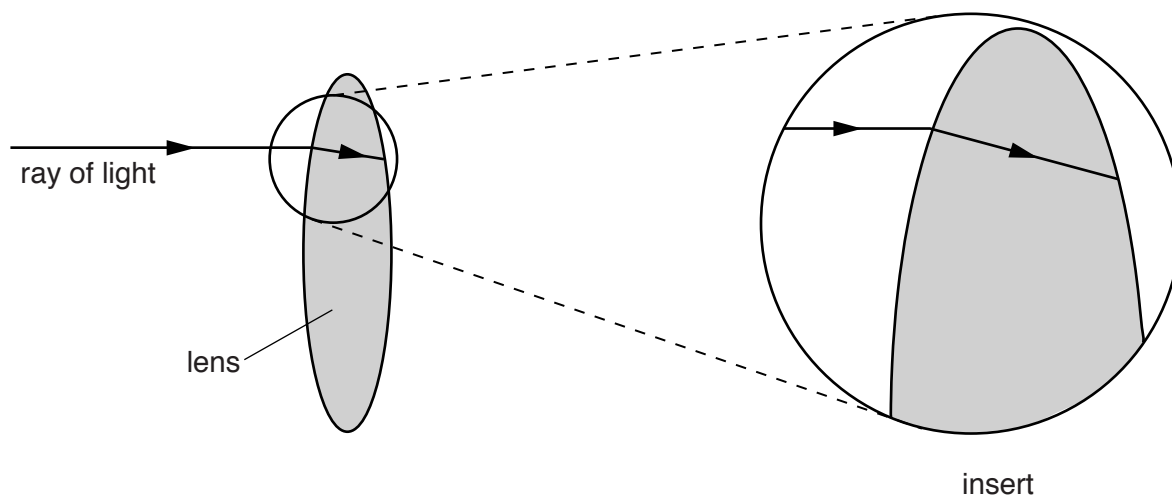


Fig. 5.1

(a) On the enlarged insert, identify and label, with the letter  $r$ , the angle of refraction the ray of light makes with the lens. [1]

(b) The ray of light has an angle of incidence of  $16.0^\circ$  at the lens and the angle of refraction is  $11.0^\circ$ .

Calculate the refractive index of the lens. Give your answer to 3 significant figures.

refractive index = ..... [2]

(c) Fig. 5.2 shows the lens being used as a magnifying glass to study a beetle.

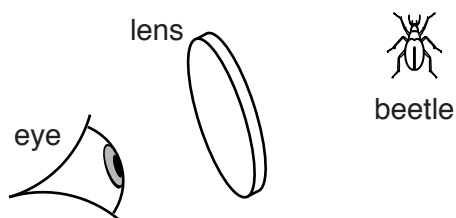


Fig. 5.2

(i) Mark, with an **X**, on Fig. 5.2 a possible position of the principal focus of the lens. [1]

(ii) State three words that describe the image seen when a lens is used as a magnifying glass.

1. ....

2. ....

3. ....

[3]

6 Table 6.1 shows properties of some metals.

**Table 6.1**

metal	density g/cm <sup>3</sup>	melting point /°C	relative measurements		
			strength	hardness	electrical conductivity
aluminium	2.7	660	21	48	62
copper	8.9	1085	78	52	100
iron	7.9	1538	50	65	17
titanium	4.5	1668	100	100	3

(a) Use information from Table 6.1 to explain why

(i) copper is used in electrical wiring in houses,

..... [1]

(ii) aluminium is the main metal in the alloy used to make aeroplane bodies.

..... [1]

(b) An alloy of aluminium, containing small quantities of copper, manganese and magnesium, is used to make aeroplane bodies.

(i) Suggest how the properties of this alloy make it more suitable for use in aeroplane bodies than pure aluminium.

.....

..... [1]

(ii) Use ideas about metallic bonding to explain this difference in properties.

You may draw a diagram to help your answer.

.....  
.....  
.....  
.....  
..... [4]

(c) (i) When exposed to humid air, iron rusts until none of the metal remains.

Aluminium does not react in a similar way.

Explain this difference.

.....  
..... [1]

(ii) Iron can be galvanised to prevent rusting.

The iron is covered with a layer of zinc. This stops the iron rusting even if the layer of zinc is scratched to expose iron.

Explain why this layer of zinc prevents the exposed iron from rusting.

..... [1]

- 7 A student constructs the circuit shown in Fig. 7.1 using a cell of e.m.f. 6.0 V, a resistor of resistance  $20\ \Omega$  and a resistance wire of length 25 cm.

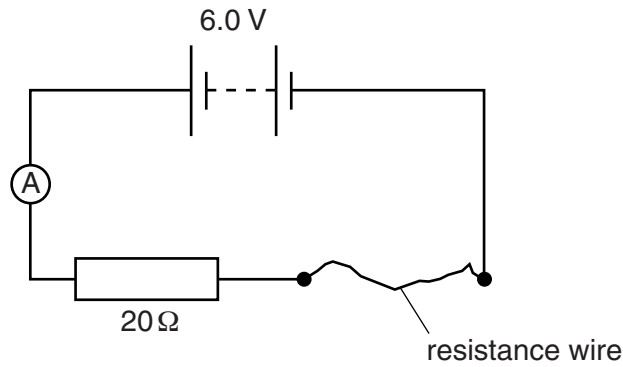


Fig. 7.1

- (a) Explain what is meant by the term *e.m.f.* (*electromotive force*).

.....  
 .....  
 ..... [2]

- (b) The ammeter reading is 0.24 A and the potential difference across the resistor is 4.8 V.

- (i) Calculate the charge passing through the resistor in 5 minutes. Give the unit.

charge = ..... unit ..... [3]

- (ii) Calculate the energy dissipated in the resistor in this time.

energy = ..... J [2]

- (iii) Calculate the potential difference across the resistance wire.

potential difference = ..... V [1]

- (iv) Use your result from (iii) to calculate the resistance of this wire.

resistance = .....  $\Omega$  [2]

(c) The student replaces the resistance wire with one made from the same material but of length 50 cm and half the diameter.

(i) Calculate the resistance of the replacement wire.

resistance = .....  $\Omega$  [2]

(ii) State how the potential difference across the resistor changes and explain your answer.

.....  
.....  
..... [2]

- 8 Table 8.1 shows how the concentration of nitrogen oxides and carbon dioxide in the air increased during the twentieth century.

**Table 8.1**

year	concentration in parts per million	
	nitrogen oxides	carbon dioxide
1900	18	300
1920	18	305
1940	20	310
1960	25	320
1980	30	340
2000	35	370

- (a) Describe and compare the trends shown in Table 8.1.

.....

.....

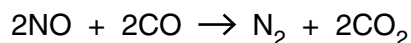
.....

..... [2]

- (b) It is suggested that these trends may have been due to an increased use of cars.

Since 2000, the number of cars fitted with catalytic converters has increased.

This equation shows the reaction taking place in a catalytic converter.



Suggest and explain what effect the increased use of catalytic converters may have on the concentration of nitrogen oxides in the air.

.....

.....

.....

..... [2]



(c) Cars release pollutants other than those shown in Table 8.1 into the air.

Name two of these other pollutants.

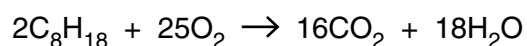
1. ....

2. ....

[2]

(d) One of the hydrocarbons in petrol is octane,  $C_8H_{18}$ .

This equation shows the complete combustion of octane.



Calculate the volume of carbon dioxide, measured at room temperature and pressure, produced when 1.0 kg of octane burns completely.

[Relative atomic masses:  $A_r$ : C, 12; H, 1; O, 16]

The volume of one mole of any gas is  $24 \text{ dm}^3$  at room temperature and pressure.

Show your working in the box.

volume of carbon dioxide = .....  $\text{dm}^3$  [4]

- 9 Fig. 9.1 shows an experiment where a magnet is placed near a coil of wire. The voltmeter is shown at the beginning of the experiment.

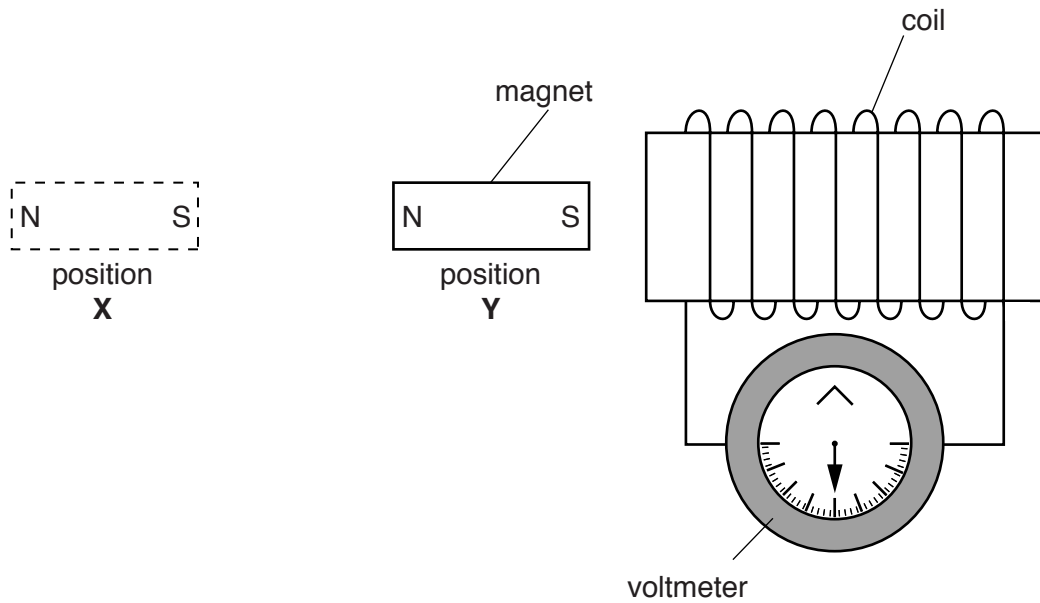


Fig. 9.1

(a) State what is observed when

- (i) the magnet is moved from position Y to position X,

.....  
 .....

- (ii) the magnet is moved from position X to position Y,

.....  
 .....

- (iii) the magnet is moved from position X to position Y at a greater speed,

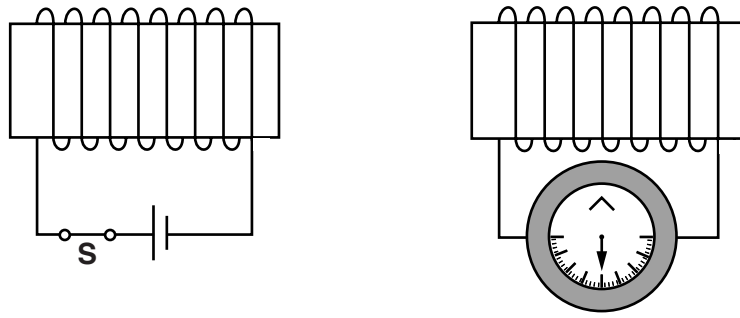
.....  
 .....

- (iv) the coil is moved towards the magnet.

.....  
 .....

[5]

(b) The magnet is replaced by a current carrying coil of wire as shown in Fig. 9.2.



**Fig. 9.2**

Switch **S** is initially closed and there is a current in the coil of wire. Switch **S** is then opened and the current falls to zero.

State and explain, by referring to magnetic fields, what is observed.

.....

.....

.....

..... [3]

10 Table 10.1 gives information about some of the elements in Group VII.

**Table 10.1**

element	atomic number	melting point/°C	colour
chlorine	17	-101	light green
bromine	35	-7	red
iodine	53	114	dark grey

(a) Describe two trends shown in Table 10.1 that occur with increasing atomic number of the element.

1. ....

.....

2. ....

.....

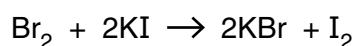
[2]

(b) The halogens decrease in reactivity with increasing atomic number.

Bromine is added to a solution of potassium iodide.

Iodine is displaced, forming a brown coloured solution.

The equation for this reaction is shown below.



Predict and explain what you would **see** if chlorine is added to a solution of potassium iodide.

prediction .....

explanation .....

.....

..... [2]







**DATA SHEET**  
**The Periodic Table of the Elements**

		Group										
I	II	III	IV	V	VI	VII	VIII	IX	X	XI	XII	
7 <b>Li</b> Lithium 3	9 <b>Be</b> Beryllium 4	1 <b>H</b> Hydrogen 1	11 <b>B</b> Boron 5	12 <b>C</b> Carbon 6	13 <b>Al</b> Aluminium 13	14 <b>N</b> Nitrogen 7	15 <b>P</b> Phosphorus 15	16 <b>S</b> Sulfur 16	17 <b>Cl</b> Chlorine 17	18 <b>Ar</b> Argon 18	19 <b>F</b> Fluorine 9	20 <b>Ne</b> Neon 10
23 <b>Na</b> Sodium 11	24 <b>Mg</b> Magnesium 12	27 <b>Fe</b> Iron 26	28 <b>Ni</b> Nickel 28	29 <b>Cu</b> Copper 29	30 <b>Zn</b> Zinc 30	31 <b>Ga</b> Gallium 31	32 <b>Ge</b> Germanium 32	33 <b>As</b> Arsenic 33	34 <b>Se</b> Selenium 34	35 <b>Br</b> Bromine 35	36 <b>Kr</b> Krypton 36	37 <b>Rb</b> Rubidium 37
39 <b>K</b> Potassium 19	40 <b>Ca</b> Calcium 20	41 <b>Ti</b> Titanium 22	42 <b>V</b> Vanadium 23	43 <b>Cr</b> Chromium 24	44 <b>Mn</b> Manganese 25	45 <b>Sc</b> Scandium 21	46 <b>Ti</b> Titanium 22	47 <b>Zr</b> Zirconium 40	48 <b>Hf</b> Hafnium 72	49 <b>In</b> Indium 49	50 <b>Sn</b> Tin 50	51 <b>Sb</b> Antimony 51
55 <b>Cs</b> Caesium 55	56 <b>Ba</b> Barium 56	57 <b>La</b> Lanthanum 57	58 <b>Ce</b> Cerium 58	59 <b>Pr</b> Praseodymium 59	60 <b>Nd</b> Neodymium 60	61 <b>Pm</b> Promethium 61	62 <b>Sm</b> Samarium 62	63 <b>Eu</b> Europium 63	64 <b>Gd</b> Gadolinium 64	65 <b>Tb</b> Terbium 65	66 <b>Dy</b> Dysprosium 66	67 <b>Ho</b> Holmium 67
87 <b>Fr</b> Francium 87	88 <b>Ra</b> Radium 88	89 <b>Ac</b> Actinium 89	90 <b>Th</b> Thorium 90	91 <b>Pa</b> Protactinium 91	92 <b>U</b> Uranium 92	93 <b>Np</b> Neptunium 93	94 <b>Pu</b> Plutonium 94	95 <b>Am</b> Americium 95	96 <b>Cm</b> Curium 96	97 <b>Bk</b> Berkelium 97	98 <b>Cf</b> Californium 98	99 <b>Es</b> Einsteinium 99
133 <b>Cs</b> Caesium 55	137 <b>Ba</b> Barium 56	139 <b>La</b> Lanthanum 57	140 <b>Ce</b> Cerium 58	141 <b>Pr</b> Praseodymium 59	144 <b>Nd</b> Neodymium 60	147 <b>Pm</b> Promethium 61	150 <b>Sm</b> Samarium 62	152 <b>Eu</b> Europium 63	157 <b>Gd</b> Gadolinium 64	159 <b>Tb</b> Terbium 65	162 <b>Dy</b> Dysprosium 66	165 <b>Ho</b> Holmium 67
223 <b>Fr</b> Francium 87	226 <b>Ra</b> Radium 88	227 <b>Ac</b> Actinium 89	232 <b>Th</b> Thorium 90	231 <b>Pa</b> Protactinium 91	238 <b>U</b> Uranium 92	237 <b>Np</b> Neptunium 93	244 <b>Pu</b> Plutonium 94	243 <b>Am</b> Americium 95	247 <b>Cm</b> Curium 96	247 <b>Bk</b> Berkelium 97	251 <b>Cf</b> Californium 98	252 <b>Es</b> Einsteinium 99
209 <b>Po</b> Polonium 84	210 <b>At</b> Astatine 85	211 <b>Rn</b> Radon 86	212 <b>Pb</b> Lead 82	207 <b>Pb</b> Lead 82	204 <b>Tl</b> Thallium 81	201 <b>Hg</b> Mercury 80	197 <b>Au</b> Gold 79	195 <b>Pt</b> Platinum 78	192 <b>Ir</b> Iridium 77	186 <b>Re</b> Rhenium 75	184 <b>W</b> Tungsten 74	181 <b>Ta</b> Tantalum 73
222 <b>Rn</b> Radon 86	223 <b>Fr</b> Francium 87	226 <b>Ra</b> Radium 88	227 <b>Ac</b> Actinium 89	228 <b>Th</b> Thorium 90	232 <b>U</b> Uranium 92	238 <b>Pu</b> Plutonium 94	244 <b>Pu</b> Plutonium 94	243 <b>Am</b> Americium 95	247 <b>Cm</b> Curium 96	247 <b>Bk</b> Berkelium 97	251 <b>Cf</b> Californium 98	252 <b>Es</b> Einsteinium 99
286 <b>Lr</b> Lawrencium 103	287 <b>Uu</b> Ununseptium 104	288 <b>Uub</b> Ununbium 105	289 <b>Uuq</b> Ununquadium 106	290 <b>Uuq</b> Ununquadium 106	291 <b>Uuq</b> Ununquadium 106	292 <b>Uuq</b> Ununquadium 106	293 <b>Uuq</b> Ununquadium 106	294 <b>Uuq</b> Ununquadium 106	295 <b>Uuq</b> Ununquadium 106	296 <b>Uuq</b> Ununquadium 106	297 <b>Uuq</b> Ununquadium 106	298 <b>Uuq</b> Ununquadium 106
289 <b>Uub</b> Ununbium 105	290 <b>Uuq</b> Ununquadium 106	291 <b>Uuq</b> Ununquadium 106	292 <b>Uuq</b> Ununquadium 106	293 <b>Uuq</b> Ununquadium 106	294 <b>Uuq</b> Ununquadium 106	295 <b>Uuq</b> Ununquadium 106	296 <b>Uuq</b> Ununquadium 106	297 <b>Uuq</b> Ununquadium 106	298 <b>Uuq</b> Ununquadium 106	299 <b>Uuq</b> Ununquadium 106	300 <b>Uuq</b> Ununquadium 106	301 <b>Uuq</b> Ununquadium 106
300 <b>Uuq</b> Ununquadium 106	301 <b>Uuq</b> Ununquadium 106	302 <b>Uuq</b> Ununquadium 106	303 <b>Uuq</b> Ununquadium 106	304 <b>Uuq</b> Ununquadium 106	305 <b>Uuq</b> Ununquadium 106	306 <b>Uuq</b> Ununquadium 106	307 <b>Uuq</b> Ununquadium 106	308 <b>Uuq</b> Ununquadium 106	309 <b>Uuq</b> Ununquadium 106	310 <b>Uuq</b> Ununquadium 106	311 <b>Uuq</b> Ununquadium 106	312 <b>Uuq</b> Ununquadium 106
312 <b>Uuq</b> Ununquadium 106	313 <b>Uuq</b> Ununquadium 106	314 <b>Uuq</b> Ununquadium 106	315 <b>Uuq</b> Ununquadium 106	316 <b>Uuq</b> Ununquadium 106	317 <b>Uuq</b> Ununquadium 106	318 <b>Uuq</b> Ununquadium 106	319 <b>Uuq</b> Ununquadium 106	320 <b>Uuq</b> Ununquadium 106	321 <b>Uuq</b> Ununquadium 106	322 <b>Uuq</b> Ununquadium 106	323 <b>Uuq</b> Ununquadium 106	324 <b>Uuq</b> Ununquadium 106
324 <b>Uuq</b> Ununquadium 106	325 <b>Uuq</b> Ununquadium 106	326 <b>Uuq</b> Ununquadium 106	327 <b>Uuq</b> Ununquadium 106	328 <b>Uuq</b> Ununquadium 106	329 <b>Uuq</b> Ununquadium 106	330 <b>Uuq</b> Ununquadium 106	331 <b>Uuq</b> Ununquadium 106	332 <b>Uuq</b> Ununquadium 106	333 <b>Uuq</b> Ununquadium 106	334 <b>Uuq</b> Ununquadium 106	335 <b>Uuq</b> Ununquadium 106	336 <b>Uuq</b> Ununquadium 106
336 <b>Uuq</b> Ununquadium 106	337 <b>Uuq</b> Ununquadium 106	338 <b>Uuq</b> Ununquadium 106	339 <b>Uuq</b> Ununquadium 106	340 <b>Uuq</b> Ununquadium 106	341 <b>Uuq</b> Ununquadium 106	342 <b>Uuq</b> Ununquadium 106	343 <b>Uuq</b> Ununquadium 106	344 <b>Uuq</b> Ununquadium 106	345 <b>Uuq</b> Ununquadium 106	346 <b>Uuq</b> Ununquadium 106	347 <b>Uuq</b> Ununquadium 106	348 <b>Uuq</b> Ununquadium 106
348 <b>Uuq</b> Ununquadium 106	349 <b>Uuq</b> Ununquadium 106	350 <b>Uuq</b> Ununquadium 106	351 <b>Uuq</b> Ununquadium 106	352 <b>Uuq</b> Ununquadium 106	353 <b>Uuq</b> Ununquadium 106	354 <b>Uuq</b> Ununquadium 106	355 <b>Uuq</b> Ununquadium 106	356 <b>Uuq</b> Ununquadium 106	357 <b>Uuq</b> Ununquadium 106	358 <b>Uuq</b> Ununquadium 106	359 <b>Uuq</b> Ununquadium 106	360 <b>Uuq</b> Ununquadium 106
360 <b>Uuq</b> Ununquadium 106	361 <b>Uuq</b> Ununquadium 106	362 <b>Uuq</b> Ununquadium 106	363 <b>Uuq</b> Ununquadium 106	364 <b>Uuq</b> Ununquadium 106	365 <b>Uuq</b> Ununquadium 106	366 <b>Uuq</b> Ununquadium 106	367 <b>Uuq</b> Ununquadium 106	368 <b>Uuq</b> Ununquadium 106	369 <b>Uuq</b> Ununquadium 106	370 <b>Uuq</b> Ununquadium 106	371 <b>Uuq</b> Ununquadium 106	372 <b>Uuq</b> Ununquadium 106
372 <b>Uuq</b> Ununquadium 106	373 <b>Uuq</b> Ununquadium 106	374 <b>Uuq</b> Ununquadium 106	375 <b>Uuq</b> Ununquadium 106	376 <b>Uuq</b> Ununquadium 106	377 <b>Uuq</b> Ununquadium 106	378 <b>Uuq</b> Ununquadium 106	379 <b>Uuq</b> Ununquadium 106	380 <b>Uuq</b> Ununquadium 106	381 <b>Uuq</b> Ununquadium 106	382 <b>Uuq</b> Ununquadium 106	383 <b>Uuq</b> Ununquadium 106	384 <b>Uuq</b> Ununquadium 106
384 <b>Uuq</b> Ununquadium 106	385 <b>Uuq</b> Ununquadium 106	386 <b>Uuq</b> Ununquadium 106	387 <b>Uuq</b> Ununquadium 106	388 <b>Uuq</b> Ununquadium 106	389 <b>Uuq</b> Ununquadium 106	390 <b>Uuq</b> Ununquadium 106	391 <b>Uuq</b> Ununquadium 106	392 <b>Uuq</b> Ununquadium 106	393 <b>Uuq</b> Ununquadium 106	394 <b>Uuq</b> Ununquadium 106	395 <b>Uuq</b> Ununquadium 106	396 <b>Uuq</b> Ununquadium 106
396 <b>Uuq</b> Ununquadium 106	397 <b>Uuq</b> Ununquadium 106	398 <b>Uuq</b> Ununquadium 106	399 <b>Uuq</b> Ununquadium 106	400 <b>Uuq</b> Ununquadium 106	401 <b>Uuq</b> Ununquadium 106	402 <b>Uuq</b> Ununquadium 106	403 <b>Uuq</b> Ununquadium 106	404 <b>Uuq</b> Ununquadium 106	405 <b>Uuq</b> Ununquadium 106	406 <b>Uuq</b> Ununquadium 106	407 <b>Uuq</b> Ununquadium 106	408 <b>Uuq</b> Ununquadium 106
408 <b>Uuq</b> Ununquadium 106	409 <b>Uuq</b> Ununquadium 106	410 <b>Uuq</b> Ununquadium 106	411 <b>Uuq</b> Ununquadium 106	412 <b>Uuq</b> Ununquadium 106	413 <b>Uuq</b> Ununquadium 106	414 <b>Uuq</b> Ununquadium 106	415 <b>Uuq</b> Ununquadium 106	416 <b>Uuq</b> Ununquadium 106	417 <b>Uuq</b> Ununquadium 106	418 <b>Uuq</b> Ununquadium 106	419 <b>Uuq</b> Ununquadium 106	420 <b>Uuq</b> Ununquadium 106
420 <b>Uuq</b> Ununquadium 106	421 <b>Uuq</b> Ununquadium 106	422 <b>Uuq</b> Ununquadium 106	423 <b>Uuq</b> Ununquadium 106	424 <b>Uuq</b> Ununquadium 106	425 <b>Uuq</b> Ununquadium 106	426 <b>Uuq</b> Ununquadium 106	427 <b>Uuq</b> Ununquadium 106	428 <b>Uuq</b> Ununquadium 106	429 <b>Uuq</b> Ununquadium 106	430 <b>Uuq</b> Ununquadium 106	431 <b>Uuq</b> Ununquadium 106	432 <b>Uuq</b> Ununquadium 106
432 <b>Uuq</b> Ununquadium 106	433 <b>Uuq</b> Ununquadium 106	434 <b>Uuq</b> Ununquadium 106	435 <b>Uuq</b> Ununquadium 106	436 <b>Uuq</b> Ununquadium 106	437 <b>Uuq</b> Ununquadium 106	438 <b>Uuq</b> Ununquadium 106	439 <b>Uuq</b> Ununquadium 106	440 <b>Uuq</b> Ununquadium 106	441 <b>Uuq</b> Ununquadium 106	442 <b>Uuq</b> Ununquadium 106	443 <b>Uuq</b> Ununquadium 106	444 <b>Uuq</b> Ununquadium 106
444 <b>Uuq</b> Ununquadium 106	445 <b>Uuq</b> Ununquadium 106	446 <b>Uuq</b> Ununquadium 106	447 <b>Uuq</b> Ununquadium 106	448 <b>Uuq</b> Ununquadium 106	449 <b>Uuq</b> Ununquadium 106	450 <b>Uuq</b> Ununquadium 106	451 <b>Uuq</b> Ununquadium 106	452 <b>Uuq</b> Ununquadium 106	453 <b>Uuq</b> Ununquadium 106	454 <b>Uuq</b> Ununquadium 106	455 <b>Uuq</b> Ununquadium 106	456 <b>Uuq</b> Ununquadium 106
456 <b>Uuq</b> Ununquadium 106	457 <b>Uuq</b> Ununquadium 106	458 <b>Uuq</b> Ununquadium 106	459 <b>Uuq</b> Ununquadium 106	460 <b>Uuq</b> Ununquadium 106	461 <b>Uuq</b> Ununquadium 106	462 <b>Uuq</b> Ununquadium 106	463 <b>Uuq</b> Ununquadium 106	464 <b>Uuq</b> Ununquadium 106	465 <b>Uuq</b> Ununquadium 106	466 <b>Uuq</b> Ununquadium 106	467 <b>Uuq</b> Ununquadium 106	468 <b>Uuq</b> Ununquadium 106
468 <b>Uuq</b> Ununquadium 106	469 <b>Uuq</b> Ununquadium 106	470 <b>Uuq</b> Ununquadium 106	471 <b>Uuq</b> Ununquadium 106	472 <b>Uuq</b> Ununquadium 106	473 <b>Uuq</b> Ununquadium 106	474 <b>Uuq</b> Ununquadium 106	475 <b>Uuq</b> Ununquadium 106	476 <b>Uuq</b> Ununquadium 106	477 <b>Uuq</b> Ununquadium 106	478 <b>Uuq</b> Ununquadium 106	479 <b>Uuq</b> Ununquadium 106	480 <b>Uuq</b> Ununquadium 106
480 <b>Uuq</b> Ununquadium 106	481 <b>Uuq</b> Ununquadium 106	482 <b>Uuq</b> Ununquadium 106	483 <b>Uuq</b> Ununquadium 106	484 <b>Uuq</b> Ununquadium 106	485 <b>Uuq</b> Ununquadium 106	486 <b>Uuq</b> Ununquadium 106	487 <b>Uuq</b> Ununquadium 106	488 <b>Uuq</b> Ununquadium 106	489 <b>Uuq</b> Ununquadium 106	490 <b>Uuq</b> Ununquadium 106	491 <b>Uuq</b> Ununquadium 106	492 <b>Uuq</b> Ununquadium 106
492 <b>Uuq</b> Ununquadium 106	493 <b>Uuq</b> Ununquadium 106	494 <b>Uuq</b> Ununquadium 106	495 <b>Uuq</b> Ununquadium 106	496 <b>Uuq</b> Ununquadium 106	497 <b>Uuq</b> Ununquadium 106	498 <b>Uuq</b> Ununquadium 106	499 <b>Uuq</b> Ununquadium 106	500 <b>Uuq</b> Ununquadium 106	501 <b>Uuq</b> Ununquadium 106	502 <b>Uuq</b> Ununquadium 106	503 <b>Uuq</b> Ununquadium 106	504 <b>Uuq</b> Ununquadium 106
504 <b>Uuq</b> Ununquadium 106	505 <b>Uuq</b> Ununquadium 106	506 <b>Uuq</b> Ununquadium 106	507 <b>Uuq</b> Ununquadium 106	508 <b>Uuq</b> Ununquadium 106	509 <b>Uuq</b> Ununquadium 106	510 <b>Uuq</b> Ununquadium 106	511 <b>Uuq</b> Ununquadium 106	512 <b>Uuq</b> Ununquadium 106	513 <b>Uuq</b> Ununquadium 106	514 <b>Uuq</b> Ununquadium 106	515 <b>Uuq</b> Ununquadium 106	516 <b>Uuq</b> Ununquadium 106
516 <b>Uuq</b> Ununquadium 106	517 <b>Uuq</b> Ununquadium 106	518 <b>Uuq</b> Ununquadium 106	519 <b>Uuq</b> Ununquadium 106	520 <b>Uuq</b> Ununquadium 106	521 <b>Uuq</b> Ununquadium 106	522 <b>Uuq</b> Ununquadium 106	523 <b>Uuq</b> Ununquadium 106	524 <b>Uuq</b> Ununquadium 106	525 <b>Uuq</b> Ununquadium 106	526 <b>Uuq</b> Ununquadium 106	527 <b>Uuq</b> Ununquadium 106	528 <b>Uuq</b> Ununquadium 106
528 <b>Uuq</b> Ununquadium 106	529 <b>Uuq</b> Ununquadium 106	530 <b>Uuq</b> Ununquadium 106	531 <b>Uuq</b> Ununquadium 106	532 <b>Uuq</b> Ununquadium 106	533 <b>Uuq</b> Ununquadium 106	534 <b>Uuq</b> Ununquadium 106	535 <b>Uuq</b> Ununquadium 106	536 <b>Uuq</b> Ununquadium 106	537 <b>Uuq</b> Ununquadium 106	538 <b>Uuq</b> Ununquadium 106	539 <b>Uuq</b> Ununquadium 106	540 <b>Uuq</b> Ununquadium 106
540 <b>Uuq</b> Ununquadium 106	541 <b>Uuq</b> Ununquadium 106	542 <b>Uuq</b> Ununquadium 106	543 <b>Uuq</b> Ununquadium 106	544 <b>Uuq</b> Ununquadium 106	545 <b>Uuq</b> Ununquadium 106	546 <b>Uuq</b> Ununquadium 106	547 <b>Uuq</b> Ununquadium 106	548 <b>Uuq</b> Ununquadium 106	549 <b>Uuq</b> Ununquadium 106	550 <b>Uuq</b> Ununquadium 106</		