



UNIVERSITY OF CAMBRIDGE INTERNATIONAL EXAMINATIONS
 General Certificate of Education
 Advanced Subsidiary Level and Advanced Level

CANDIDATE
 NAME

CENTRE
 NUMBER

--	--	--	--	--

CANDIDATE
 NUMBER

--	--	--	--

* 5 1 3 2 2 5 7 0 7 2 *

COMPUTING

9691/13

Paper 1

October/November 2011

1 hour 30 minutes

Candidates answer on the Question Paper.

No additional materials are required.

No calculators allowed.

READ THESE INSTRUCTIONS FIRST

Write your Centre number, candidate number and name on all the work you hand in.

Write in dark blue or black pen.

You may use a soft pencil for any diagrams, graphs or rough working.

Do not use staples, paper clips, highlighters, glue or correction fluid.

DO NOT WRITE IN ANY BARCODES.

Answer **all** questions.

No marks will be awarded for using brand names for software packages or hardware.

At the end of the examination, fasten all your work securely together.

The number of marks is given in brackets [] at the end of each question or part question.

This document consists of **12** printed pages.



1 (a) Describe the purpose of the following:

(i) Input devices;

.....
.....

(ii) Output devices.

.....
..... [2]

(b) A point-of-sale (POS) terminal in a supermarket has a number of output devices. State **two** different output devices used at the POS terminal and state the purpose of each.

Device 1

Purpose

.....
.....

Device 2

Purpose

.....
..... [4]

- (c) Customers may apply for a store card if they do not have one already. The store card allows customers discount when they buy goods. They apply for a store card at the checkout and the applications are then batch processed.

*For
Examiner's
Use*

Describe a batch processing operating system.

.....

.....

.....

.....

.....

.....

.....

.....

.....

.....

[4]

2 (a) One stage of the systems development life cycle is to collect information about the requirements of the system.
For each of the following methods of information collection give **one** advantage and **one** disadvantage.

(i) Questionnaires

Advantage

.....

Disadvantage

..... [2]

(ii) Interviews

Advantage

.....

Disadvantage

..... [2]

(b) When a new system has been developed it must be installed into the organisation for which it has been produced.

Describe:

(i) parallel implementation

.....

.....

.....

..... [2]

(ii) pilot implementation

.....

.....

.....

..... [2]

3 A large power-generating plant is controlled from a central operations room. The operations are controlled by a small group of very experienced engineers using computers which monitor the processes being carried out.
Describe the characteristics of the user interface and why they are appropriate to this application.

.....
.....
.....
.....
.....
.....
.....
.....
.....
.....
.....
..... [5]

4 Explain how a knowledge-based (expert) system can be set up and used to help scientists at a national botanical centre to identify plants.

.....
.....
.....
.....
.....
.....
.....
.....
.....
.....
..... [6]

5 (a) Describe how the contents of a one-dimensional array can be initialised to zero.

.....
.....
.....
.....
.....
..... [3]

(b) (i) Describe how a stack is implemented using an array.

.....
.....
.....
.....
.....
.....
.....
..... [4]

(ii) Describe how a check can be carried out before adding another value to the stack.

.....
.....
.....
.....
.....
..... [3]

- 6 State **two** different types of optical storage medium.
Give a use that a school student could make of each with their computer at home.

*For
Examiner's
Use*

Storage medium 1

Use

.....

Storage medium 2

Use

..... [4]

7 (a) An information system is provided at a central location in a tourist resort. Tourists are able to use it to find details of:

- current events
- hotels and other accommodation
- transport available.

(i) Explain why a menu-based interface is used with the information system.

.....

.....

.....

.....

.....

.....

(ii) Explain why indexed sequential access to the data is used on the system.

.....

.....

.....

.....

.....

.....

..... [6]

(b) The central information office takes bookings from tourists for all the events and hotels that are featured in the information system.

*For
Examiner's
Use*

(i) Explain why taking back-ups of the information collected is necessary.

.....
.....
.....
.....

(ii) Describe a procedure for doing these back-ups.

.....
.....
.....
..... [4]

8 A factory specialises in making components for cars. The offices of the factory have a number of stand-alone computers. The decision is taken to link these machines in a network.

(a) (i) State **two** items of hardware which would be necessary to network the computers.

Hardware 1

Hardware 2 [2]

(ii) State **one** extra item of hardware which would be required if the network was to be linked to the Internet.

..... [1]

(b) When data is transmitted around a network it can be corrupted. Explain, giving examples, how parity can be used to detect errors in transmitted data.

.....

.....

.....

.....

.....

.....

.....

.....

..... [4]

(c) The production line in the factory is computerised. One part of the production line is a pair of rollers which take warm plastic as an input and roll it into sheets for the next part of the process. The rollers have to be kept the same distance apart throughout the process. This is controlled by a computer which monitors the output from the rollers.

(i) Explain why the company use custom-written software on the computer that controls the rollers.

.....
.....
.....
..... [2]

(ii) The thickness of the plastic sheets should be 5mm. The computer can control the thickness by moving the rollers closer together or further apart.

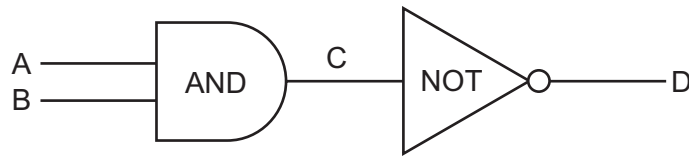
Explain why the computer is set to keep the thickness between 4.9mm and 5.1mm and not exactly 5mm.

.....
.....
.....
..... [2]

(iii) Explain the process control system which the computer uses to control the thickness of the plastic sheets.

.....
.....
.....
.....
.....
.....
.....
.....
.....
.....
.....
.....
..... [5]

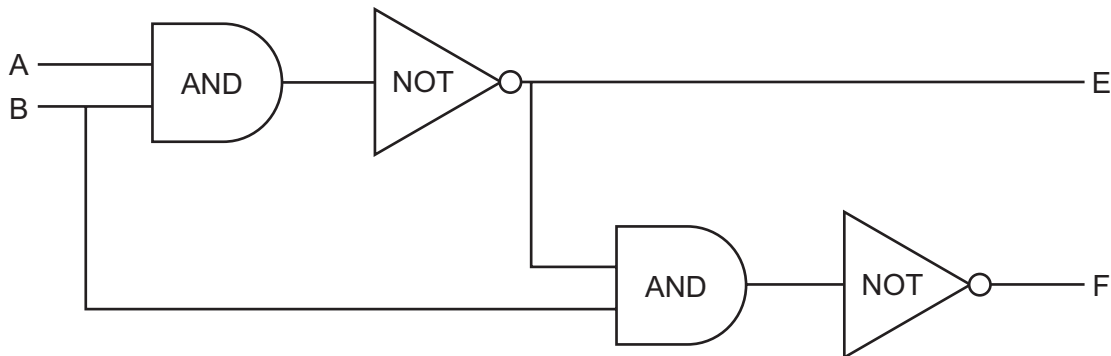
9 (a) Complete the table to show the outputs for the possible inputs to this circuit.



A	B	C	D
0	0		
0	1		
1	0		
1	1		

[2]

(b) Complete the table to show the outputs for the possible inputs to this circuit.



A	B	E	F
0	0		
0	1		
1	0		
1	1		

[4]

Permission to reproduce items where third-party owned material protected by copyright is included has been sought and cleared where possible. Every reasonable effort has been made by the publisher (UCLES) to trace copyright holders, but if any items requiring clearance have unwittingly been included, the publisher will be pleased to make amends at the earliest possible opportunity.

University of Cambridge International Examinations is part of the Cambridge Assessment Group. Cambridge Assessment is the brand name of University of Cambridge Local Examinations Syndicate (UCLES), which is itself a department of the University of Cambridge.